

## MAIN CHARACTERISTICS

The alma water meter, Model MJ-LFC is an multi jet wet dial water meter with waterproof totalizer for residential use from ND 15mm to ND 50mm that meets the requirements of the Measuring Instruments Directive 2004/22/EC, the European Standard ISO4064, and the Moroccan Standard NM 15.5.016.

## Features

- Excellent sensitivity with high accuracy in reading.
- Optimum accuracy with very low starting flow rate.
- The resistance to corrosion of body.
- The inlet filter permits cleaning it without breaking the metrological seal.
- Non Return Valve to avoid the reserve flow Rate AS OPTION;
- All the Materials in contact with water, consciously selected by the known resistance to corrosion
- Cold water meter under current standard for lower than 30°C(T30), but NWM SJ-WDC can be used safely in water temperature up to 50°C(T50)
- The rollers are hermetically sealed by special liquid don't touch with the water which ensures the clear reading in any operating conditions;
- The Impeller is the only moving parts in contact with water permitting the most reliable;

## N°of Pattern approval And Conformity

Alma water meters, Model MJ-LFC, are in compliance with the European Directive CEE 75-33 and Moroccan Standard NM 15.5.016

TCM 142/10-4793  
M14 - MA.10.20.14

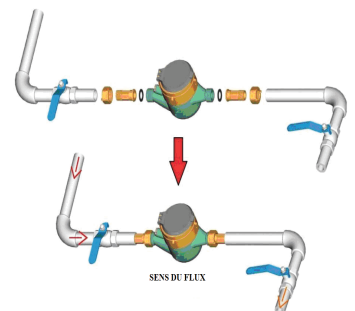
## Installation and maintenance

- The water meter must be installed in the Horizontal position, respecting the direction of flow indicated by the arrow cast in the body of the meter.
- To avoid damage, the meter should be protected in the event of freezing water.
- It is advisable to perform an effective purge of the lines before installing the water meter.
- Valves should be installed on the front and back of the water meter.
- This water meter can be supplied with a pair of adaptable connections

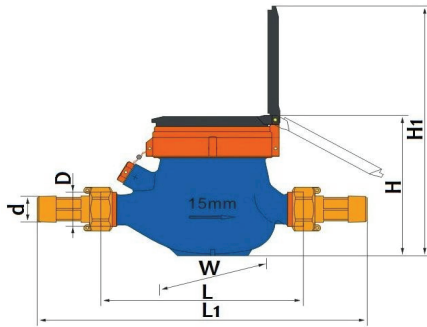
**MJ-LFC**  
**ND 15MM**  
**20MM**  
**32MM**  
**40MM**



## Dial design

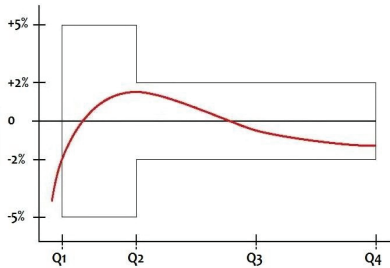


### Dimensions



size	DN 15	DN 20	DN 25	DN 32	DN 40
L	165	190	260	260	300
L1	259	294	380	384	431
D	G3/4B	G1B	G1-1/4B	G1-1/2B	G2B
D	R1/2	R3/4	R1	R1-1/4	R1-1/2
H	107,5	107,5	117,5	117,5	141,5
H1	191	191	206,5	206,5	256,5
W	94	94	98	98	122

### Error curve



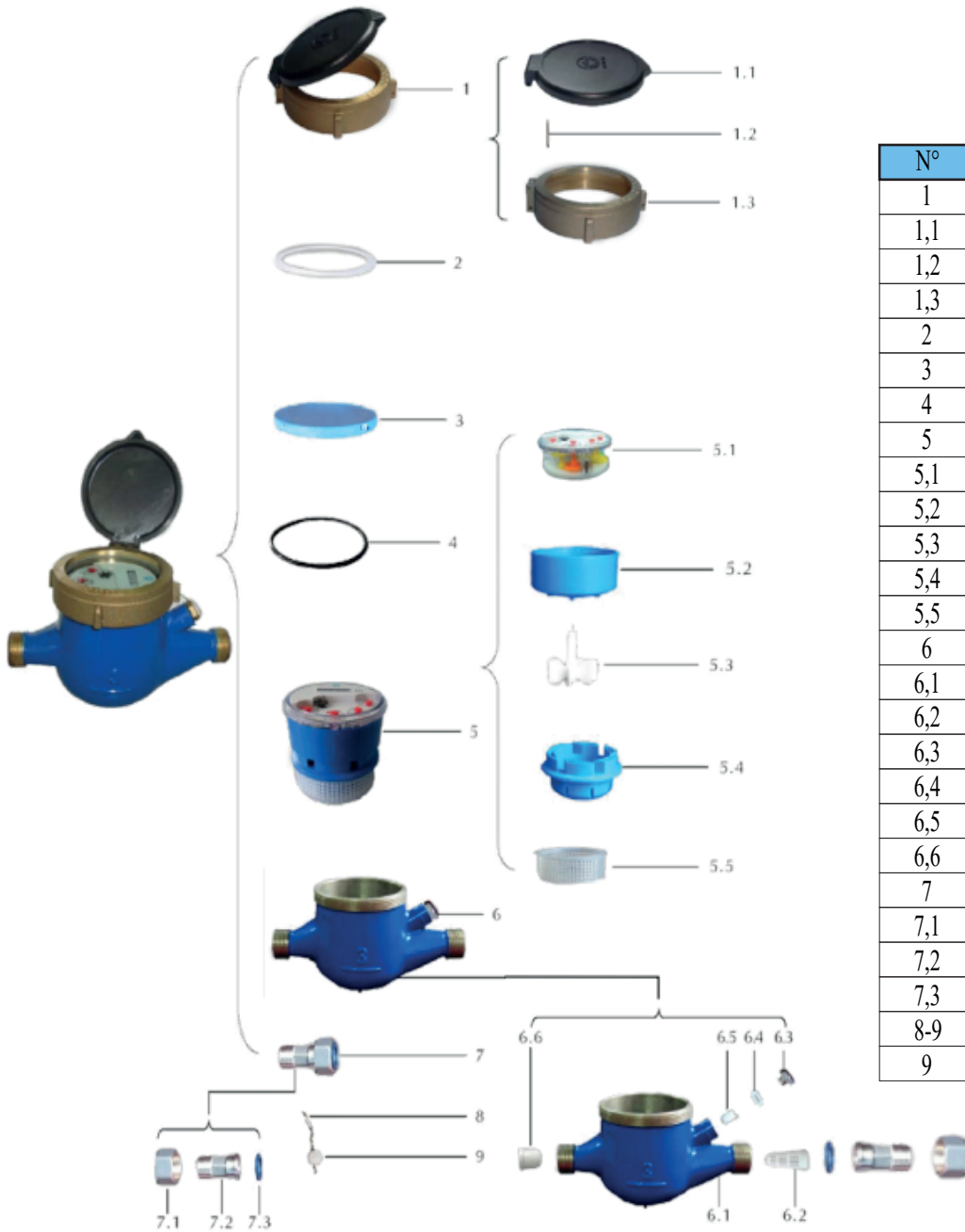
Size	mm	DN 15	DN 20	DN 25	DN 32	DN 40
R	Q3/Q1	160				
Q4	M3 /h	3.125	5	7.875	12.5	20
Q3	M3/h	2.5	4	6.3	10	16
Q2	l/h	25	40	63	100	160
Q1	l/h	15.625	25	39.375	62.5	100
Max.Reading	M3	99999,9999				999999,9999
Min.Reading	Litre	0,05				
Pressure.Loss	$\Delta P$	$\Delta P < 63$ à Q3				
Max.Pressure	MAP	MAP16				
Max. Temperature	°C	T30 ou T50				

### Remote volume transmission



- The **alma** water meter, Model MJ-LFC, is pre-equipped to receive a pulse output.
- The pulse emitter clips into a self-sealing housing meant for that purpose.

Water meter diagram in spare parts MJ-LFC



N°	Specification	Qty
1	Lid+ Head ring	1
1,1	Lid	1
1,2	Hingle Pin	1
1,3	Head Ring	1
2	Sliding Gasket	1
3	Glass	1
4	Sealing rubber gasket	1
5	Totalizer	1
5,1	Clockwork	1
5,2	Gearing box	1
5,3	Impeller	1
5,4	Measuring chamber	1
5,5	Strainer	1
6	Body	1
6,1	Body	1
6,2	Inlet Strainer	1
6,3	Calibrat.Screw	1
6,4	Calibrat.Gasket	1
6,5	Calibrat.Screw	1
6,6	Non return valve	1
7	Water meter connection	1
7,1	Nut	1
7,2	Water meter connection	1
7,3	Elastomer gasket	1
8-9	sealing wire + sealing lead	1
9	tightening ring	1