

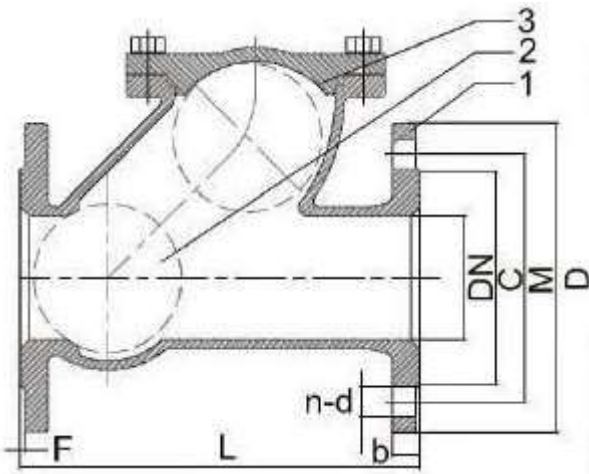
Technical specifications:

OPERATING PRESSURE: PN 16

Body: ductile iron and FBE lined cover

Ductile Iron Ball +EPDM

Flange complies with the standard: DIN2501



N°	Designation	Material
1	Body	Ductile iron
2	Ball	Ductile iron /EPDM
3	Cover	Ductile iron

Dimensions :

DN	L	D	C	M	b	F	n-d
50	200	165	102	125	19	3	4-19
65	240	185	122	145	19	3	4-19
80	280	200	138	160	19	3	8-19
100	300	220	158	180	19	3	8-19
125	350	250	188	210	19	3	8-19
150	400	285	212	240	19	3	8-23
200	500	340	268	295	20	3	12-23
250	600	395	320	355	22	3	12-28
300	700	445	378	410	24.5	4	12-28
350	800	505	438	470	26.5	4	16-28
400	900	585	490	525	28	4	12-31
450	1000	640	532	585	30	4	20-31
500	1100	715	610	650	32	4	20-33
600	1300	840	725	770	36	5	20-37