

WP - SDC
ND 50 to ND 500

Woltman water meter

GLASS-COPPER TOTALIZER

WP-SDC is a Woltman hydraulic turbine meter with a magnetic drive.

Suitable for industrial and irrigation application.

Range from ND40 up to ND500.

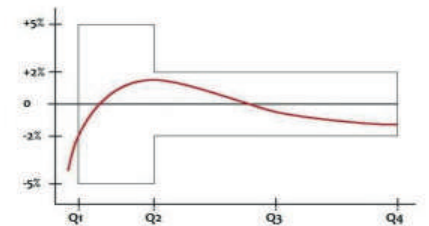
Meets ISO 4064.

CHARACTERISTICS :

- * Iron body with inside and outside epoxy coating.
- * Excellent sensitivity with high precision in reading.
- * IP68 Protection.
- * The measuring mechanism can be removed from the meter for checking, maintaining or replacing without having to dismantle the water meter from the installation.
- * Not affected by external magnetic fields.
- * Low pressure loss.

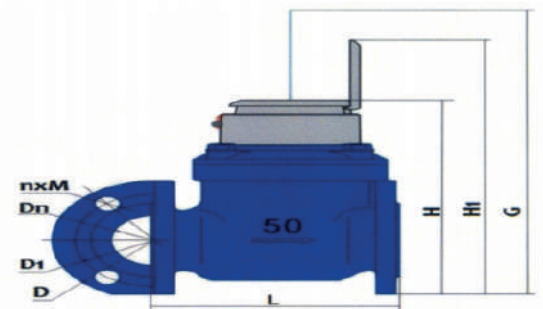


Error Curve :



DIMENSIONS :

Dn	50	65	80	100	125	150	200	250	300	350	400	500	
L	200	200	225	250	250	300	350	450	500	500	600	800	
H	252	262	272	282	397	341	371	480	516	560	647	785	
H1	339	349	359	369	384	428	458	576	603	603	723	838	
G	400	400	400	400	400	500	500	710	730	730	830	930	
D	165	185	200	220	250	285	340	405	460	520	580	715	
D1	125	145	160	180	210	240	295	355	410	470	525	650	
nxM	4xM16		8xM16		8xM20		12xM20		12xM24		16xM24		20xM30



Standard flange under ISO 7005-2:1998(E) PN 16

TECNICAL DATA :

Size	mm	50	65	80	100	125	150	200	250	300	350	400	500	
R=Q3/Q1		80												
Q4	m³/h	50	78.75	78.75	125	200	312.5	500	787.5	1250	1250	2000	3125	
Q3	m³/h	40	63	63	100	160	250	400	630	1000	1000	1600	2500	
Q2	m³/h	0.8	1.26	1.26	2	3.2	5	8	12.6	20	20	32	50	
Q1	m³/h	0.5	0.7875	0.7875	1.25	2	3.125	5	7.875	12.5	12.5	20	31.25	
Min. Reading	m³	999999.999					999999.99			999999.9				
Max. Pressure	m³	0.0005					0.005			0.05				
Max Pressure	Bar	PN16												
Max. Temperature	°C	T30 or T50												

PRESSURE LOSS CURVE:

