

Woltman water meter

GLASS-COPPER TOTALIZER

WP-SDC is a Woltman hydraulic turbine meter with a magnetic drive.

Suitable for industrial and irrigation application.

Measuring the volume of cold and hot water.

Range from ND50 up to ND200.

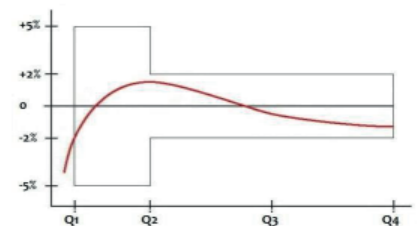
Meets ISO 4064.

CHARACTERISTICS :

- \* Iron body with inside and outside epoxy coating.
- \* Excellent sensitivity with high precision in reading.
- \* IP68 Protection.
- \* The measuring mechanism can be removed from the meter for checking, maintaining or replacing without having to dismantle the water meter from the installation.
- \* Not affected by external magnetic fields.
- \* Low pressure loss.

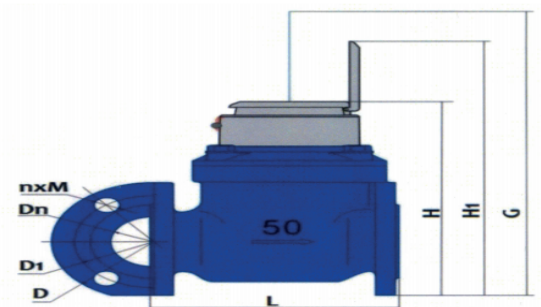


Error Curve :



DIMENSIONS :

| Dn  | 50    | 65  | 80    | 100 | 125 | 150   | 200    |  |
|-----|-------|-----|-------|-----|-----|-------|--------|--|
| L   | 200   | 200 | 225   | 250 | 250 | 300   | 350    |  |
| H   | 225   | 235 | 245   | 265 | 280 | 320   | 380    |  |
| H1  | 310   | 325 | 330   | 350 | 365 | 410   | 465    |  |
| G   | 335   | 350 | 365   | 400 | 415 | 515   | 625    |  |
| D   | 165   | 185 | 200   | 220 | 250 | 285   | 340    |  |
| D1  | 125   | 145 | 160   | 180 | 210 | 240   | 295    |  |
| nxM | 4xM16 |     | 8xM16 |     |     | 8xM20 | 12xM20 |  |



Standard flange under ISO 7005-2:1998(E) PN 16

TECNICAL DATA :

| Size             | mm                | 50         | 65   | 80   | 100  | 125   | 150        | 200   |  |
|------------------|-------------------|------------|------|------|------|-------|------------|-------|--|
| R=Q3/Q1          |                   | 250        | 250  | 250  | 250  | 250   | 400        | 400   |  |
| Q4               | m <sup>3</sup> /h | 78,75      | 125  | 125  | 200  | 312,5 | 500        | 787,5 |  |
| Q3               | m <sup>3</sup> /h | 63         | 100  | 100  | 160  | 250   | 400        | 630   |  |
| Q2               | m <sup>3</sup> /h | 0,4        | 0,64 | 0,64 | 1,02 | 1,6   | 1,6        | 2,52  |  |
| Q1               | m <sup>3</sup> /h | 0,25       | 0,4  | 0,4  | 0,64 | 1     | 1          | 1,575 |  |
| Max. Reading     | m <sup>3</sup>    | 999999,999 |      |      |      |       | 9999999,99 |       |  |
| Min. Reading     | m <sup>3</sup>    | 0,0005     |      |      |      |       | 0,005      |       |  |
| Pressure Loss    | ΔP                | 63         |      |      |      |       |            |       |  |
| Max. Pressure    | MAP               | MAP16      |      |      |      |       |            |       |  |
| Max. Temperature | °C                | T30 or T50 |      |      |      |       |            |       |  |