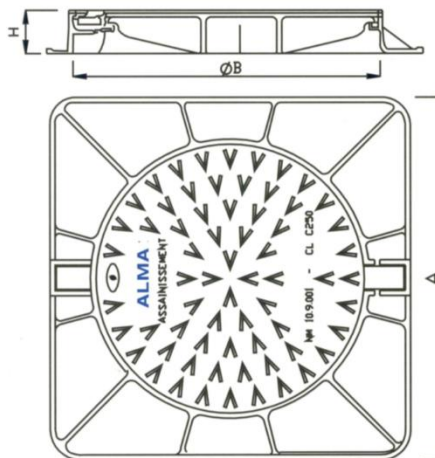




- Articulated manhole with 90° lock and 125° coverage
- Articulated frame for good adhesion with concrete
- Material : Ductile Iron (ISO 1083) / Coating : Bitumen coating
- Locking system : with key / Standard : NM.10.9.001

| Dimensions (mm) | | Class C250 | |
|-----------------|---------|------------|----|
| Reference | AxA | Ø B | H1 |
| C 250 | 850x850 | 600 | 75 |

Scheme

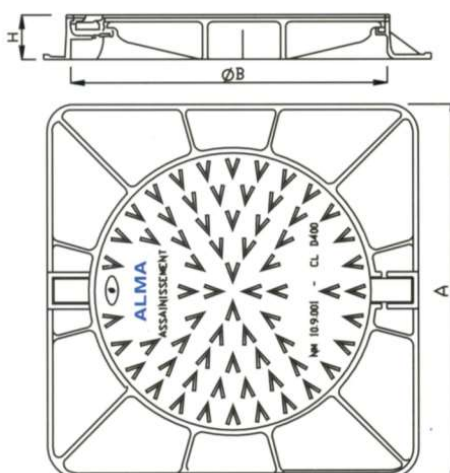




- Articulated manhole with 90° lock and 125° coverage
- Articulated frame for good adhesion with concrete
- elastic support in noise- and vibration-damping polyethylene
- Material : Ductile Iron (ISO 1083) / Coating : Bitumen coating
- Locking system : with key / Standard : NM.10.9.001

| Dimensions (mm) | | DN 600 ARTICULATED , with anti-fraud system | | |
|------------------|-----------|---|-----|--|
| Reference | AxA | Ø B | H | |
| GGG 850 (DN600) | 850x850 | 600 | 100 | |
| GGG 1000 (DN800) | 1000x1000 | 800 | 130 | |

SCHEMA



ALMA - MANUFACTURE MAROCAINE D'EQUIPEMENTS PUBLICS - MMEP - S.A.

Z.I. Had Soualem, Douar LAASILAT, Commune de Sahel, Ouled Hriz-Cercle de Berrechid-26400 MAROC.

Tél.: +212 5 22 99 51 52 - Fax : +212 5 22 99 49 50

Email : contact@alma.ma – Website : www.alma.ma

